

Quick Disconnect Stem



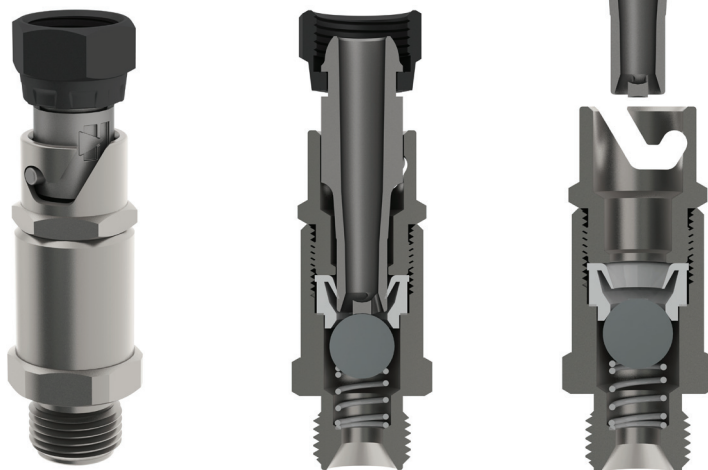
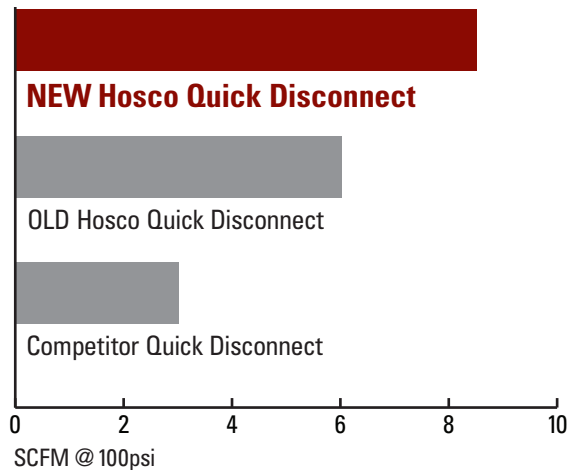
Benefits and Features

- New redesign compatible with all Hosco SSQD products
- 46% better flow than old design
- 174% better flow than competitor QD technology
- Embedded Hosco logo for easy identification

As Always...

Stainless Steel, Silicone Free, Smooth Bore, Cavity Free, Low Shear

Improved Flow Characteristics



Ordering Information

SS-STEM-6-316
QD Stem x 3/8" NPS female

SS-STEM-6B-316
QD Stem x 3/8" BSP female

