

RIA-6

Inline Externally Adjustable Restrictor



NEW!

This product takes the best features of our RIL-6 and RIL-6-AJ and puts them into one product. The RIA-6 is a great durable solution for restricting the flow to your spray gun.

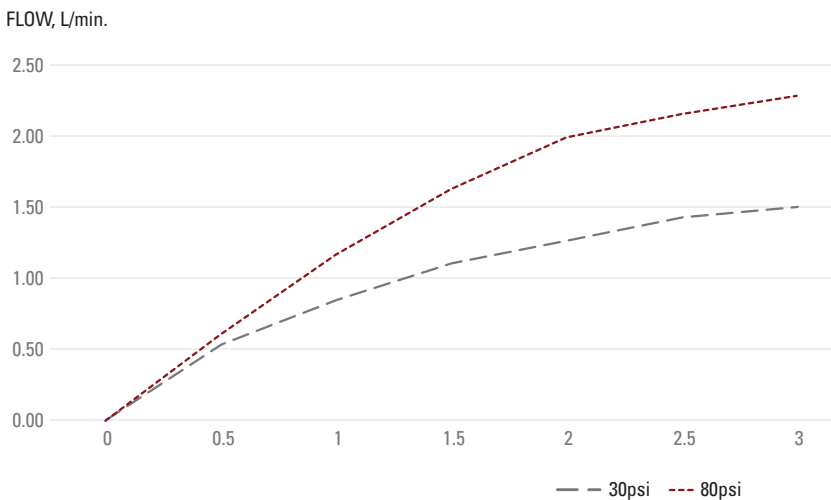
Benefits and Features

- Stainless Steel and Silicone Free
- 3/8 NPS Male x Female
- Compact at 1.66" (42mm) OAL
- Lightweight at 2.24 oz (63.5g)
- Fine needle adjustment
- Externally adjustable (with 3mm allen key included)

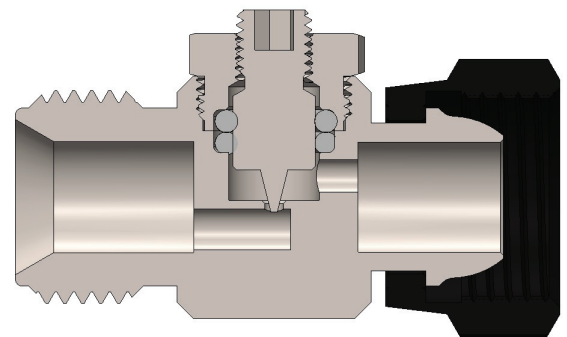
Notes

- This new product will eventually replace the RIL-6-AJ and RIL-6B-AJ.
- A BSP version and a circulating version are coming soon.
- This can be considered a direct replacement for the RIL-6 and RIL-6-AJ.

Restrictor Flow, 225 cP Basecoat



Cross Section



Ordering Information

RIA-6

Inline Externally Adjustable Restrictor
3/8 NPS Male x Female

